

TOMOS

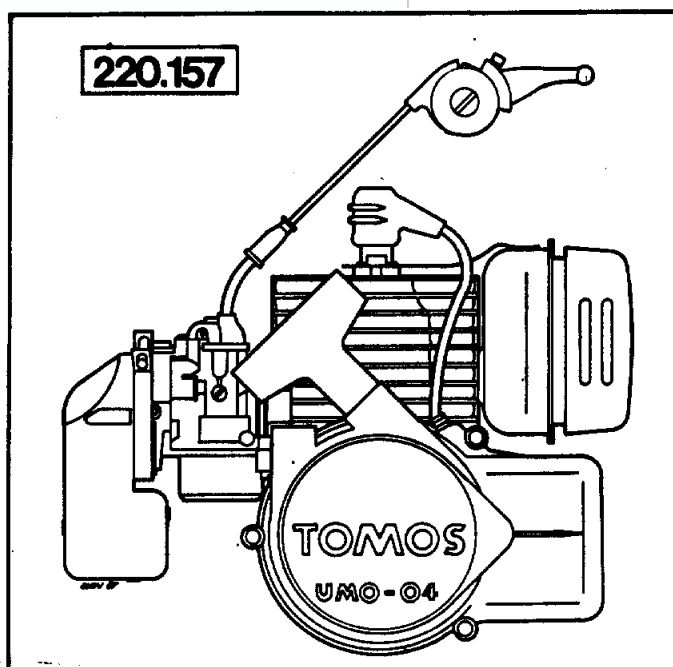
SERVISNA
SLUŽBA

IZDAJA 1

001

UMO-04

www.obnovi-si.si



1987

REZERVNI DELI

SPARE PARTS

PARTI DI RICAMBIO

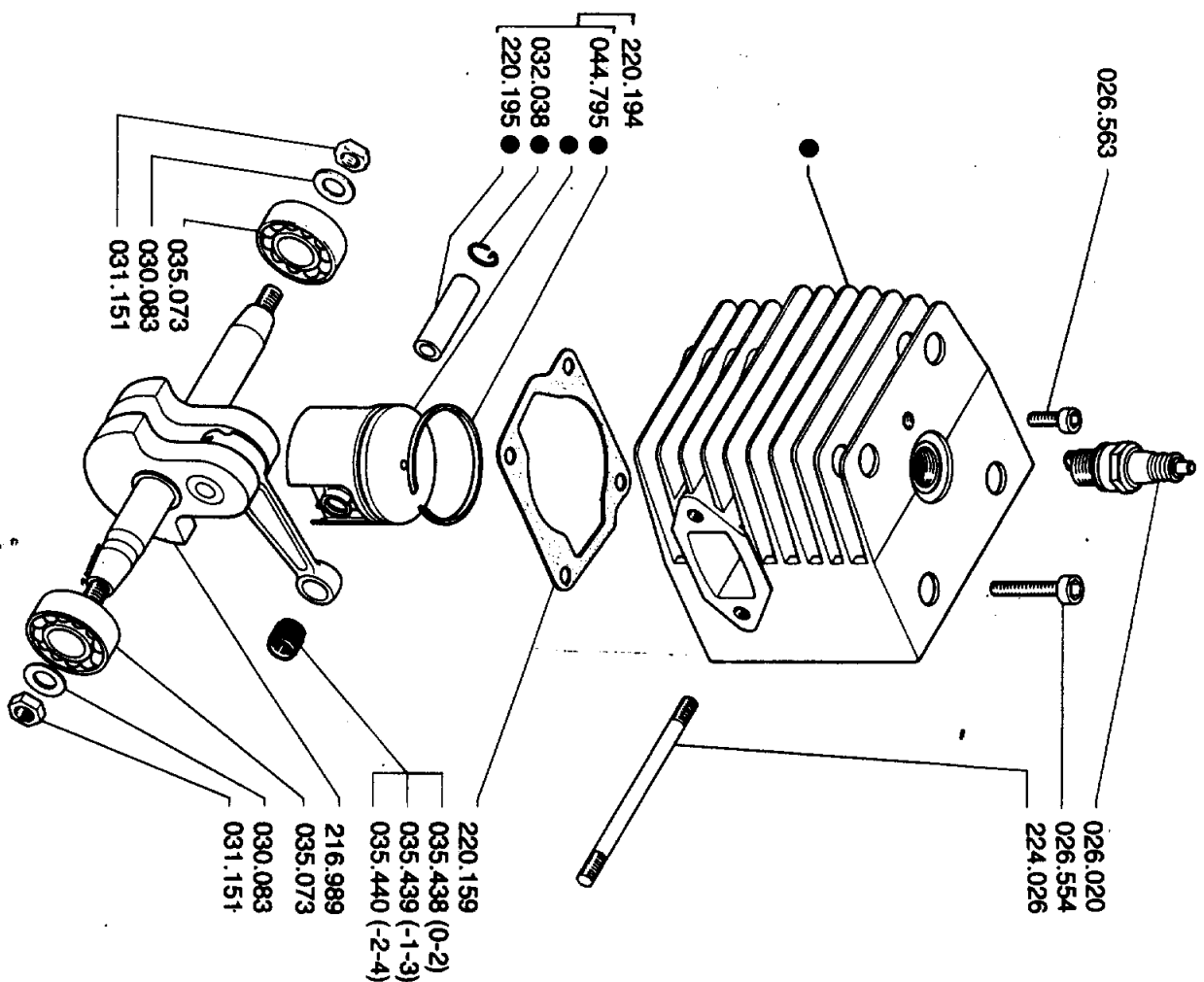
PIÈCES DÉTACHÉES

TOVARNA MOTORNIH VOZIL TOMOS KOPER — YUGOSLAVIA

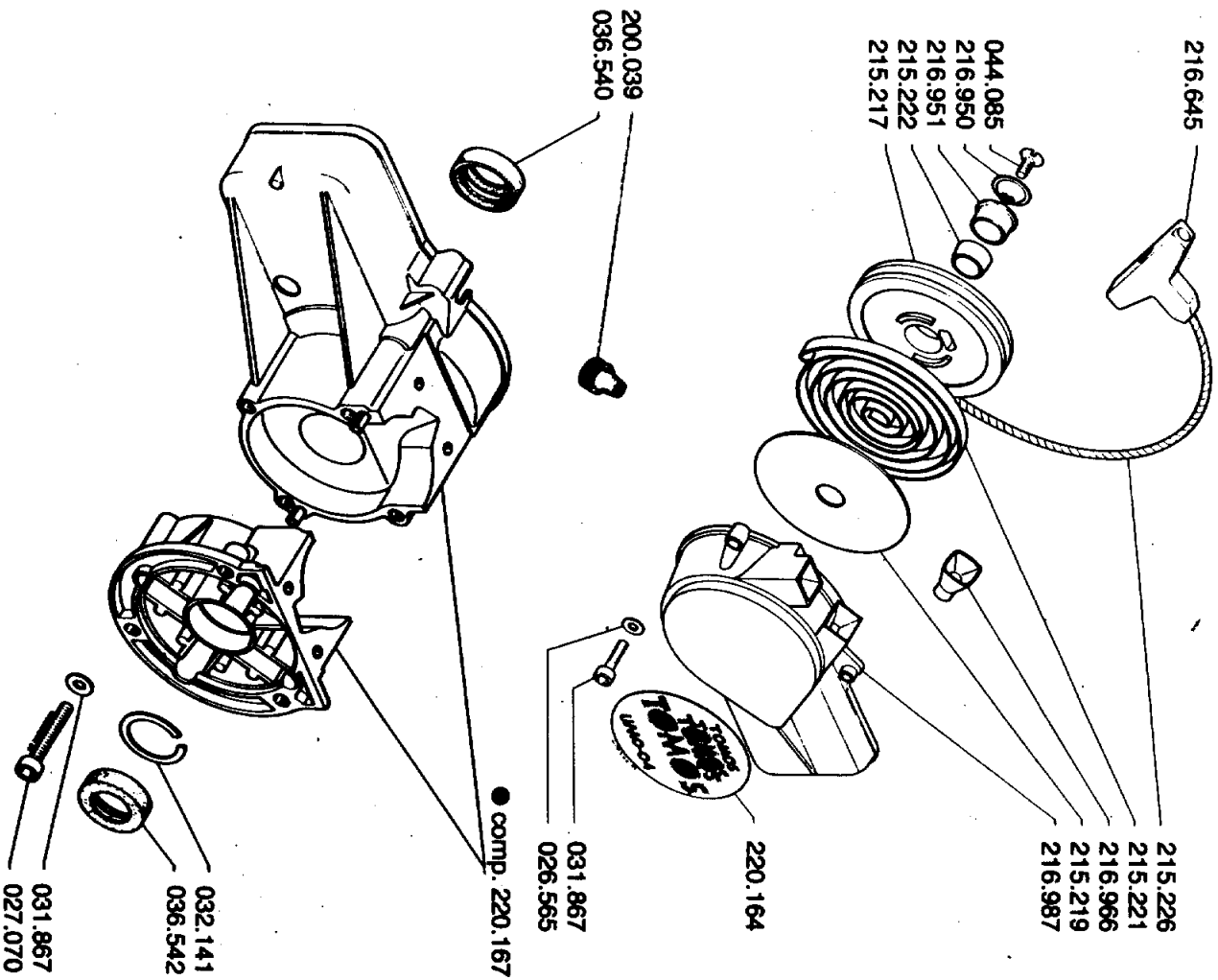
Tisk: GDO Tiskarna Jadransko Koper, maj 1987

● 220.271 comp. + 220.194

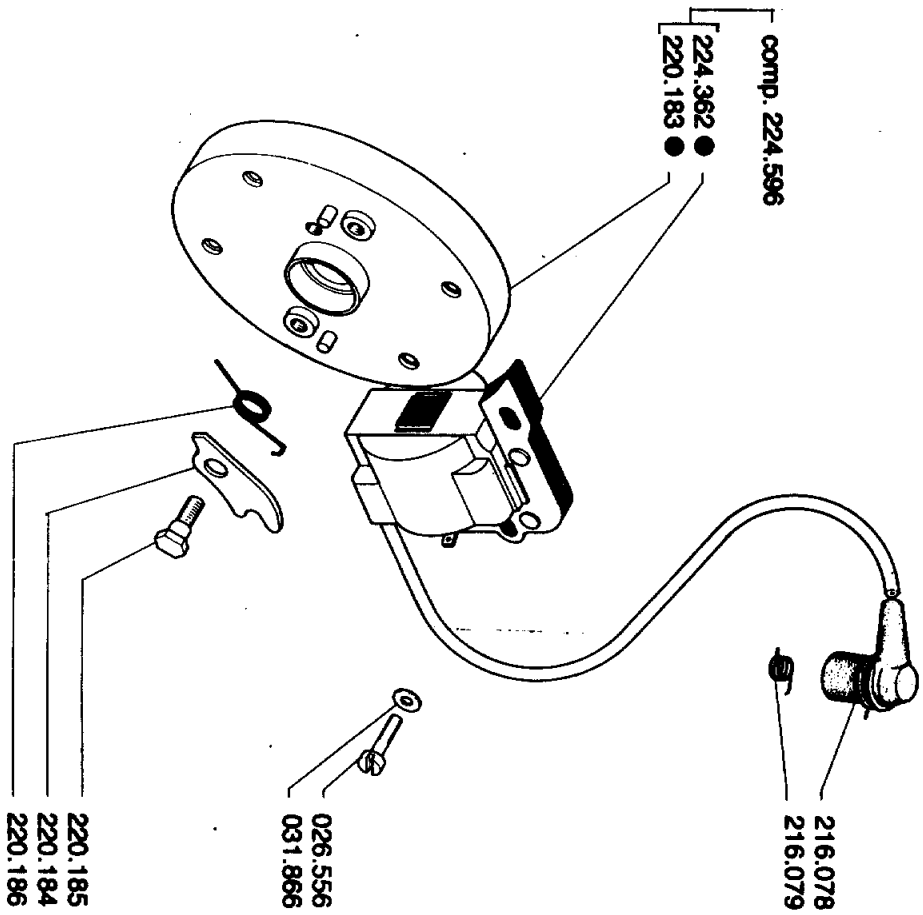
A



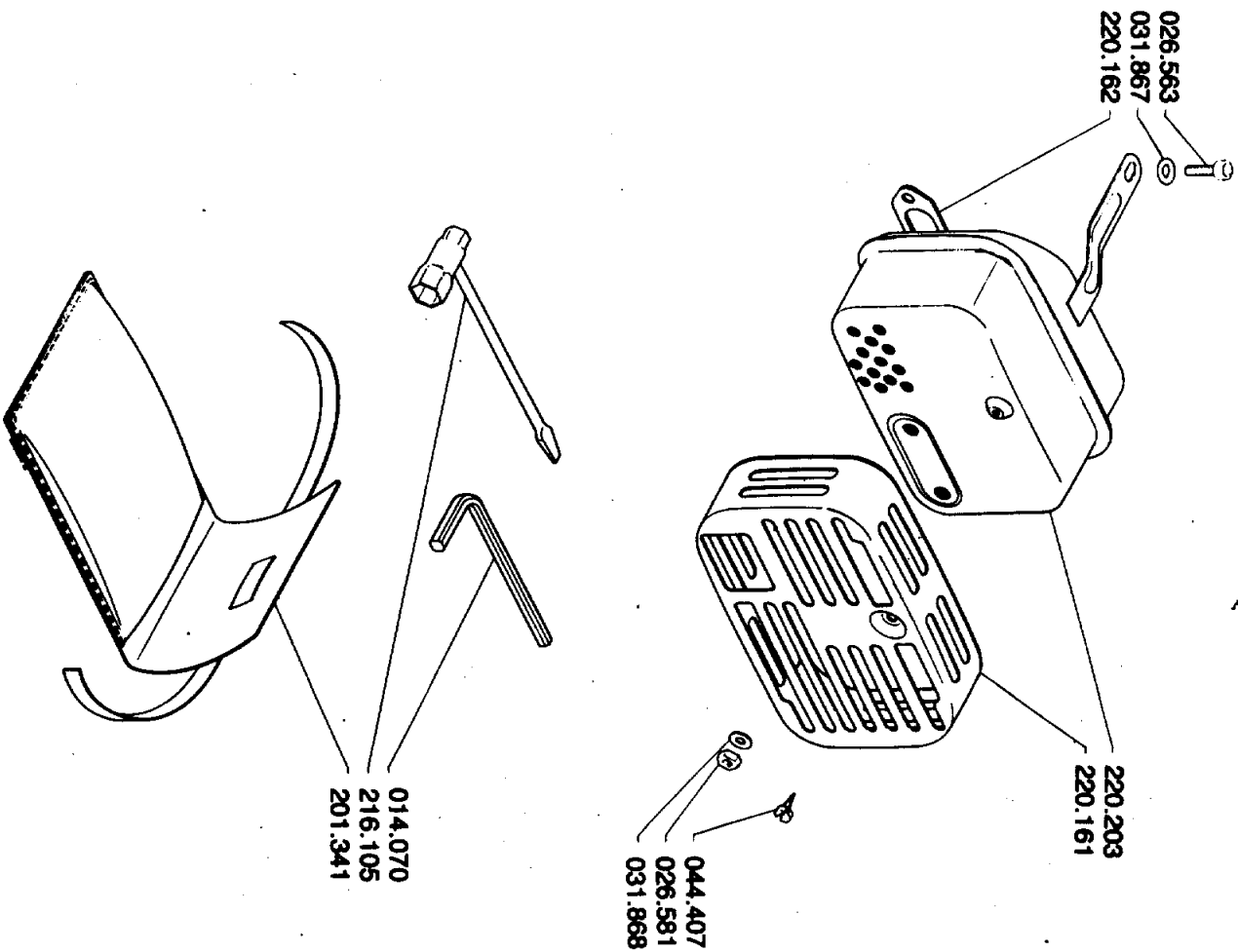
B

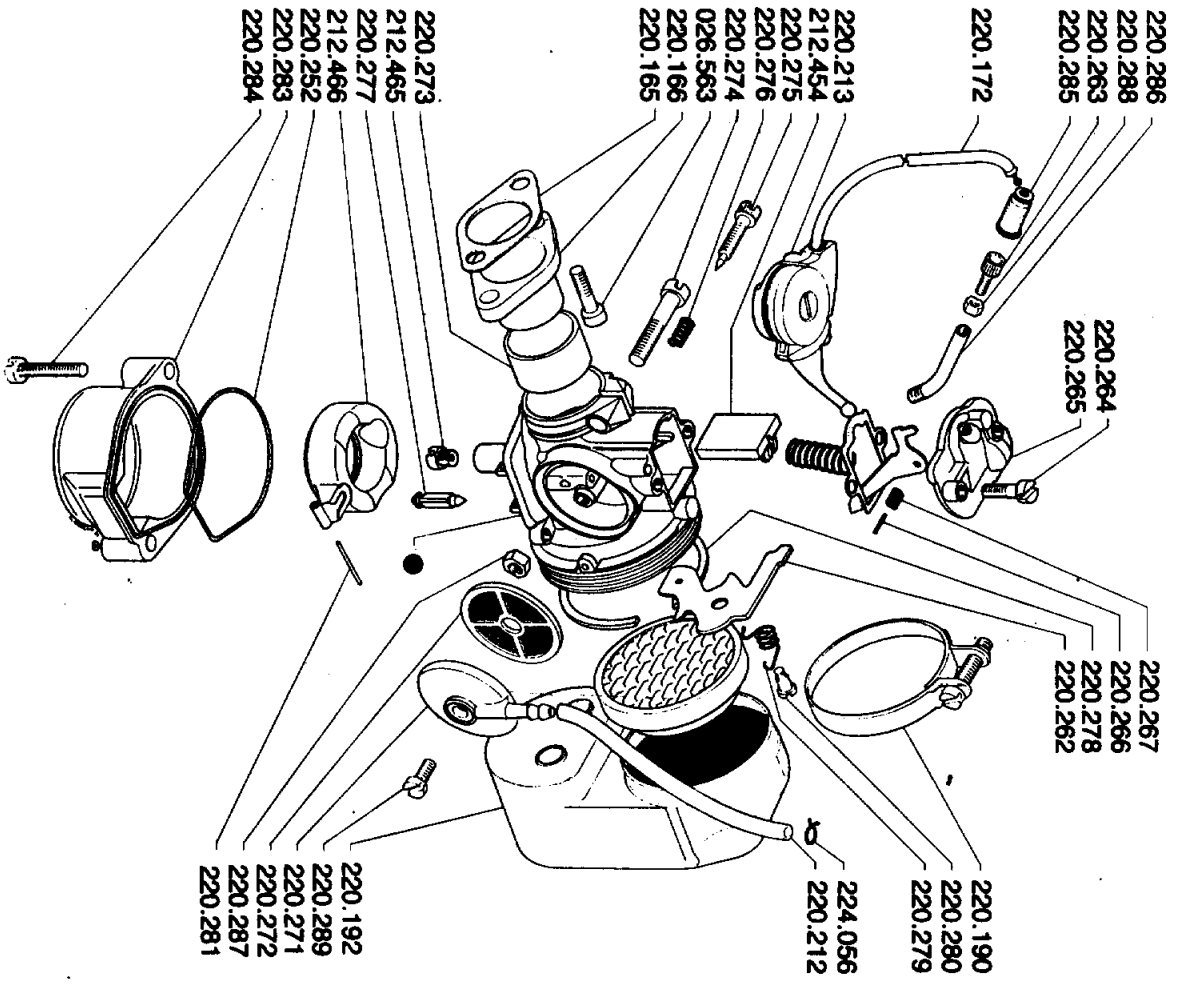


C



D





Shra Part No. Nr. Code N. Cod.	Komov Dni Dni	Skupina Section Gruppo	Shra Part No. Nr. Code N. Cod.	Komov Dni Dni	Skupina Section Gruppo
014.070	1	D	220.172	1	E
026.070	1	A	220.163	1	C
026.554	4	A	220.164	2	C
026.556	2	A	220.185	2	C
026.563	1	A	220.186	2	C
026.563	1	D	220.189	1	E
026.563	2	D	220.190	1	E
026.565	3	B	220.191	1	E
027.070	2	D	220.192	1	E
027.070	4	D	220.194	1	A
030.083	2	B	220.182	1	A
031.151	1	A	220.185	1	A
031.151	1	A	220.203	1	D
031.151	1	A	220.212	1	E
031.888	2	C	220.213	1	E
031.888	3	B	220.252	1	E
031.887	4	D	220.252	1	E
031.887	1	B	220.283	1	E
031.888	2	D	220.284	2	E
032.038	2	A	220.285	1	E
032.141	1	B	220.286	1	E
035.073	2	A	220.287	1	E
035.438	1	A	220.288	1	E
035.438	1	A	220.289	1	E
035.440	1	A	220.270	1	E
036.540	1	B	220.271	1	E
036.542	1	B	220.272	1	E
044.065	1	B	220.273	1	E
044.407	1	D	220.274	1	E
044.795	1	A	220.275	1	E
200.039	1	B	220.276	1	E
201.341	1	D	220.277	1	E
212.454	1	E	220.278	1	E
212.465	1	E	220.279	1	E
212.466	1	E	220.280	1	E
215.217	1	B	220.281	1	E
215.218	1	B	220.282	2	E
215.221	1	B	220.283	1	E
215.222	1	B	220.285	1	E
215.226	1	C	220.286	1	E
216.078	1	C	220.287	1	E
216.105	1	D	220.288	1	E
216.645	1	B	224.056	2	A
216.950	1	B	224.056	2	E
216.951	1	B	224.382	1	C
216.966	1	B	224.596	1	C
216.987	1	B			
220.159	1	A			
220.161	1	D			
220.162	1	D			
220.164	1	B			
220.165	1	E			
220.166	1	E			
220.167	1	B			
220.171	1	A			